

X8

design office



MELAMINE TOPS FOR DESKS, MEETING & BOARDROOM TABLES

18mm easy to clean scratch-resistant anti-reflective melamine faced chipboard (MFC) top. 10mm high chamfered edges finished with 1mm impact resistant matching Abs.
 Panel density: 670/730 kgs per cubic meter

Finish options:



LACQUERED MELAMINE TOPS FOR DESKS, MEETING & BOARDROOM TABLES

18mm scratch & abrasion resistant lacquered melamine faced chipboard (MFC) top.
 Matt lacquers. 10mm high chamfered edges finished with 1mm impact resistant matching Abs.

Finish options:



Production lead time: 5 weeks excluding delivery time. Apart from the shown finish options any RAL color can be made to order.

GLASS TOPS FOR DESKS, MEETING & BOARDROOM TABLES

10mm fingerprint-proof back painted tempered glass with a satin white finish top supported on stainless steel spacers.
 Polished edges and radius corners.

Finish options:

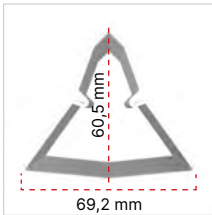


FRAME

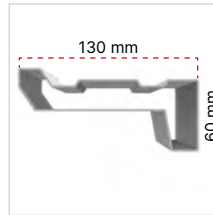


Legs and perimeter frame made from steel tubes linked together by die-cast zamak three-arm corner units. All parts supplied epoxy powder coated.

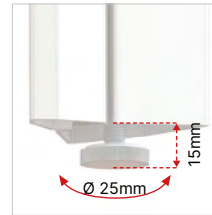
Finish options:



Legs made from 2mm triangle-shaped steel tube, 60.5×69.2mm section.



Perimeter frame made from 1.5m steel tube, 130×60mm section.



0-15mm adjustable levelling feet made of polyethylene, 25mm diameter.

MELAMINE COMBINATION UNIT

Made of 18mm melamine faced chipboard (MFC) finished with 1mm matching straight impact resistant ABS edges. Spacious compartment at the back for power blocks and cables, access through a soft-close flap made from epoxy powder coated extruded aluminium, supplied with ABS end caps and brush strip. At the side of the user lower open shelf to place objects such as handbags, binders or a CPU.

3-drawer supporting pedestal, epoxy powder coated metal drawer boxes in silver, full extension ball bearing runners and soft close for silent drawer closing , pen drawer with partial extension roller runners.

LACQUERED COMBINATION UNIT

Made of 18mm lacquered melamine faced chipboard (MFC) finished with 1mm matching straight impact resistant ABS edges. At the side of the user lower open shelf to place objects such as handbags, binders or a CPU.

3-drawer supporting pedestal, epoxy powder coated metal drawer boxes in silver, full extension ball bearing runners and soft close for silent drawer closing , pen drawer with partial extension roller runners.

Standard metal handle

Zen (standard)



White (A)
Umbra Grey (Q)

MELAMINE LOW CREDENZA UNIT SUPPORTING RETURN TOP

Made of 18mm easy to clean scratch-resistant anti-reflective melamine faced chipboard (MFC). Spacious compartment at the back for power blocks and cables, access through a soft-close flap made from epoxy powder coated extruded aluminium, supplied with ABS end caps and brush strip. 18mm lacquered MFC sliding door complete with epoxy powder coated extruded aluminium handle; pen drawer with plastic pen tray, full extension metal runners.

MELAMINE LOW CREDENZA UNIT SUPPORTING RETURN TOP - MATT LACQUER

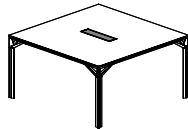
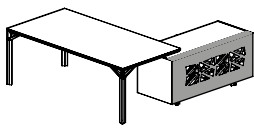
Made of 18mm lacquered melamine faced chipboard (MFC). Spacious compartment at the back for power blocks and cables, access through a soft-close flap made from epoxy powder coated extruded aluminium, supplied with ABS end caps and brush strip. 18mm lacquered MFC sliding door complete with epoxy powder coated extruded aluminium handle; pen drawer with plastic pen tray, full extension metal runners.

METAL BACK PANEL

Combination unit and low credenza unit are also available with a epoxy powder coated scratch- and fingerprint resistant 1.5mm sheet metal, decorative perforated back in the same pattern which can be found in table middle legs.

CABLE FLAPS

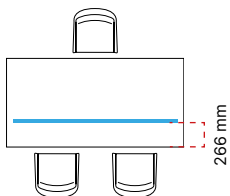
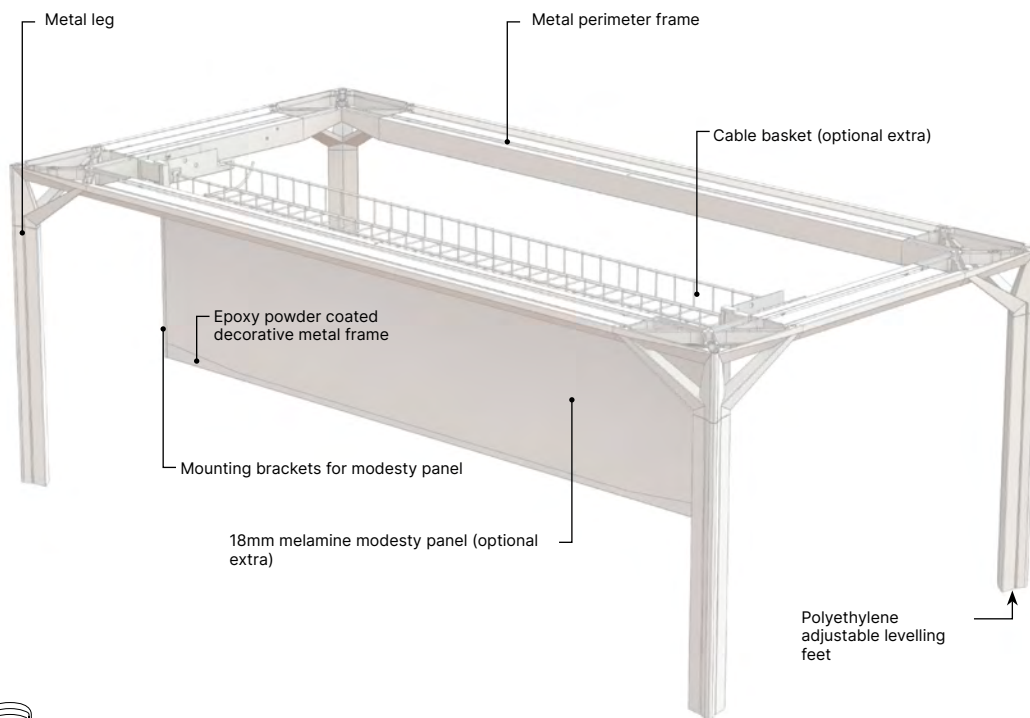
Flap opening from either side made from epoxy powder coated aluminium. Complete with matching ABS end caps and brush strip. Open ended cable box for power blocks.



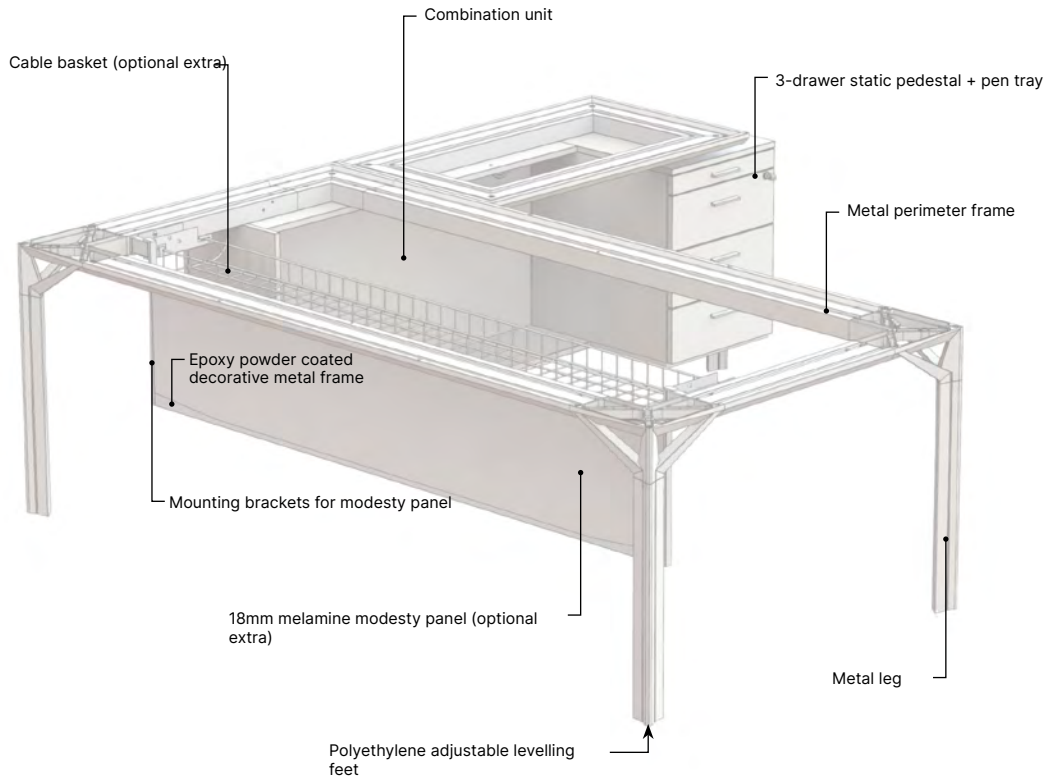
Finish options:



STRAIGHT DESK

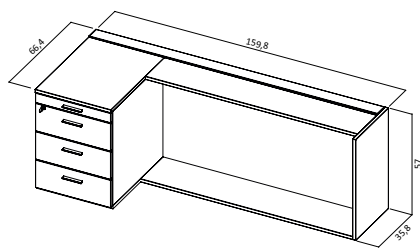


L-SHAPED DESK WITH SUPPORTING COMBINATION UNIT

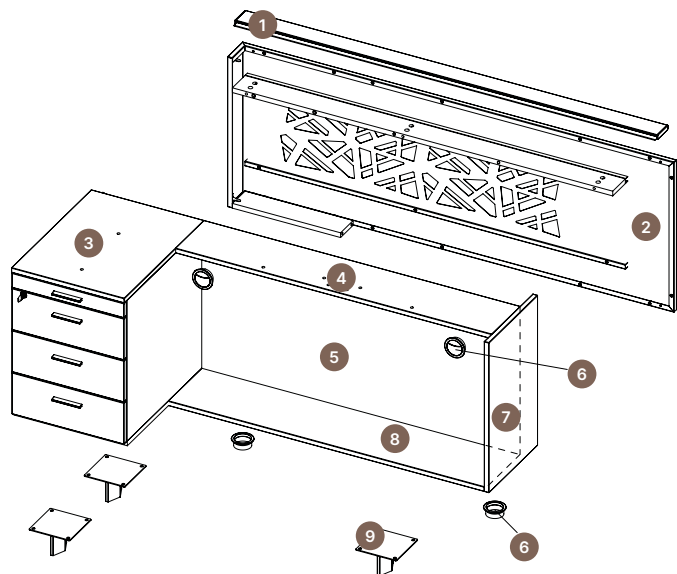
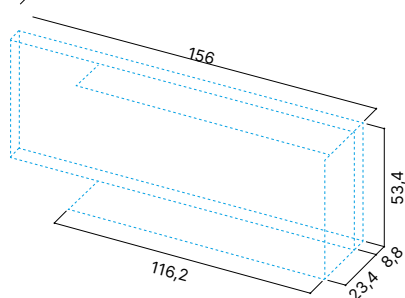


EXPLODED VIEW COMBINATION UNIT

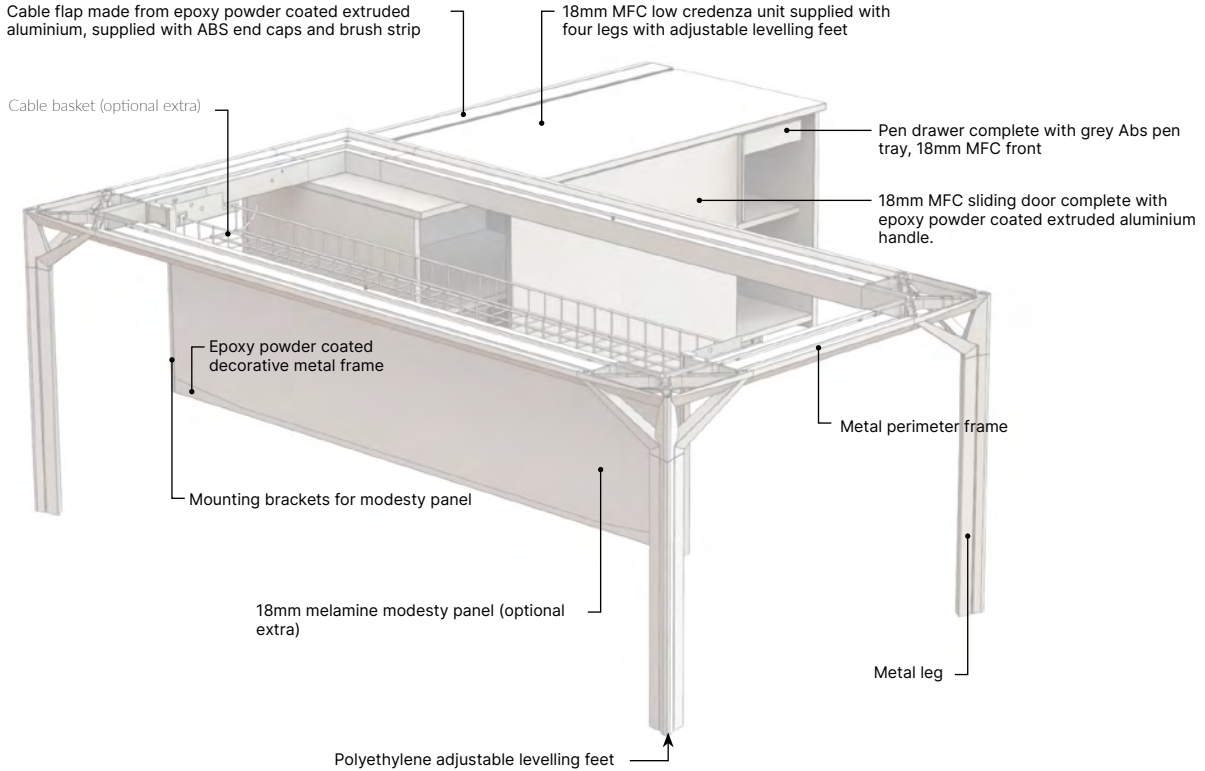
- 1) Cable flap
- 2) Perforated metal back panel (also available in 18mm MFC)
- 3) 3-drawer + 1-pen drawer static pedestal
- 4) 18mm MFC top
- 5) 18mm MFC structural back panel
- 6) ø60mm grommets
- 7) 18mm MFC side panels
- 8) 18mm MFC shelf for placing CPU, bags, etc.
- 9) Metal legs complete with adjustable levelling feet



Usable inner size

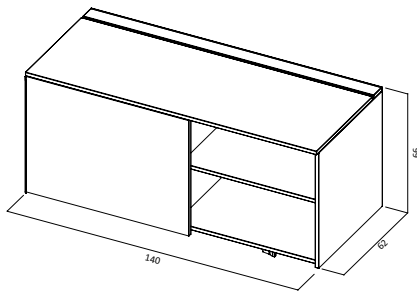


L-SHAPED DESK WITH SUPPORTING LOW CREDENZA UNIT

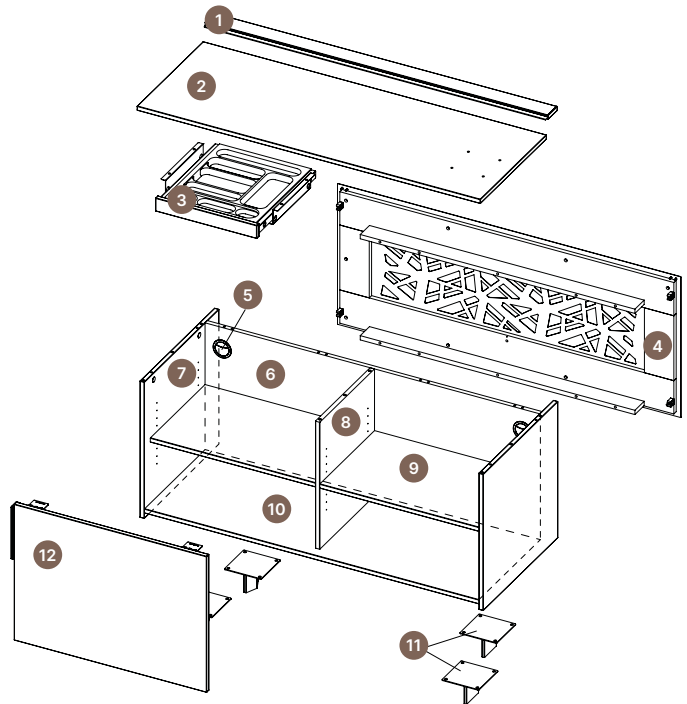
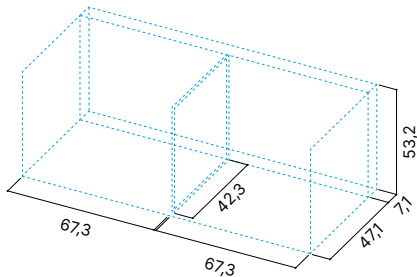


EXPLODED VIEW LOW CREDENZA UNIT

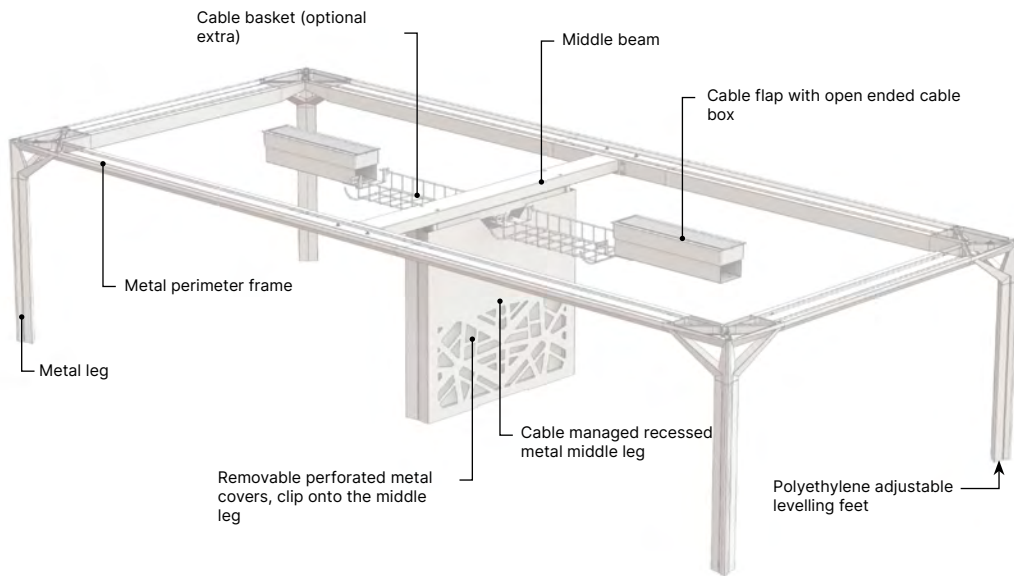
- 1) Cable flap
- 2) 18mm MFC top
- 3) Pen drawer
- 4) Perforated metal back panel (also available in 18mm MFC)
- 5) ø60mm grommets
- 6) 18mm MFC structural back panel
- 7) 18mm MFC side panels
- 8) 18mm MFC divider
- 9) 18mm MFC shelves
- 10) 18mm MFC bottom
- 11) Metal legs complete with adjustable levelling feet
- 12) 18mm MFC sliding door



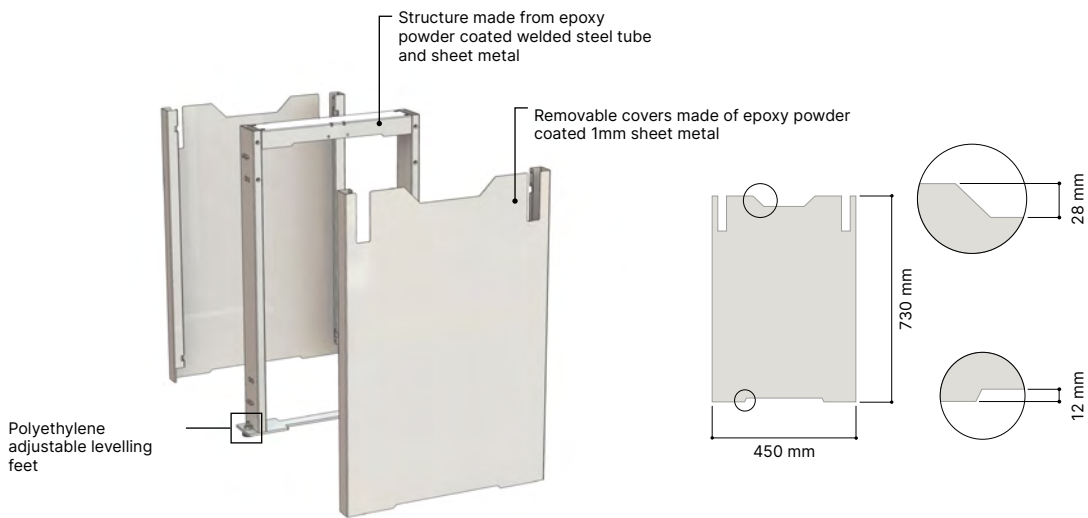
Usable inner size



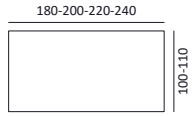
2-SECTION TABLE



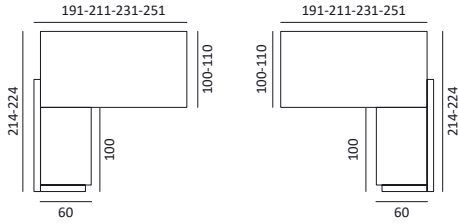
Exploded view middle leg



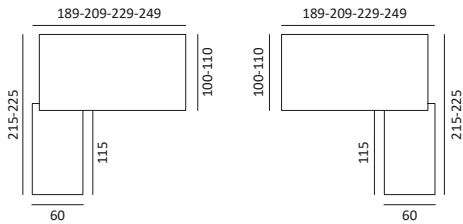
DESKS



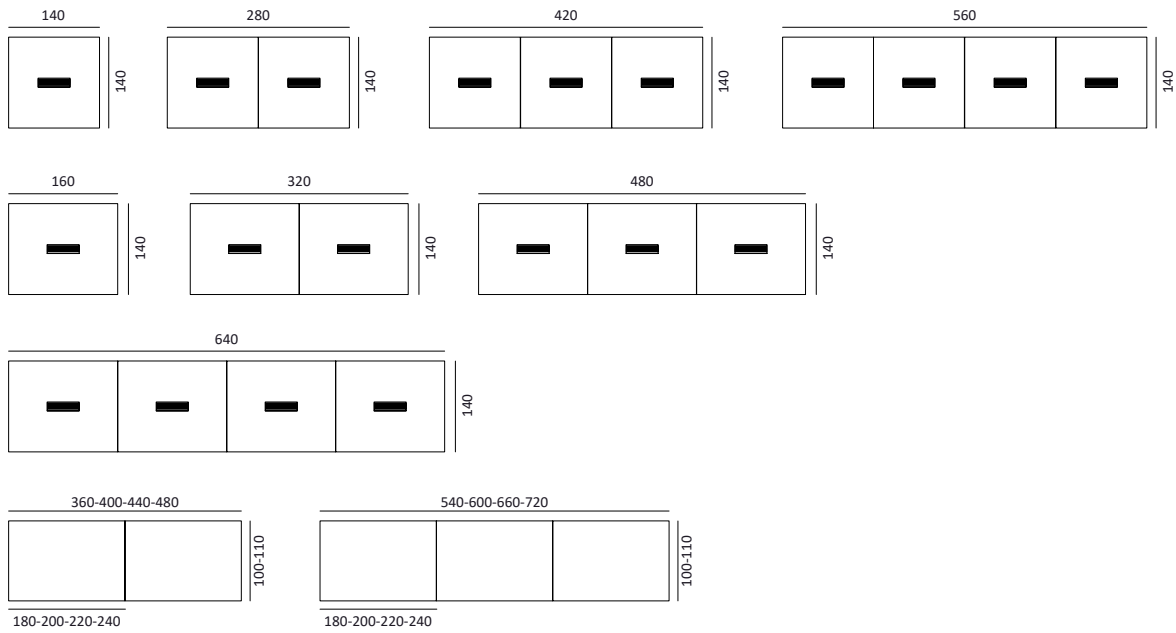
L-SHAPED DESKS SUPPORTED ON COMBINATION UNIT



L-SHAPED DESKS SUPPORTED ON LOW CREDENZA UNIT



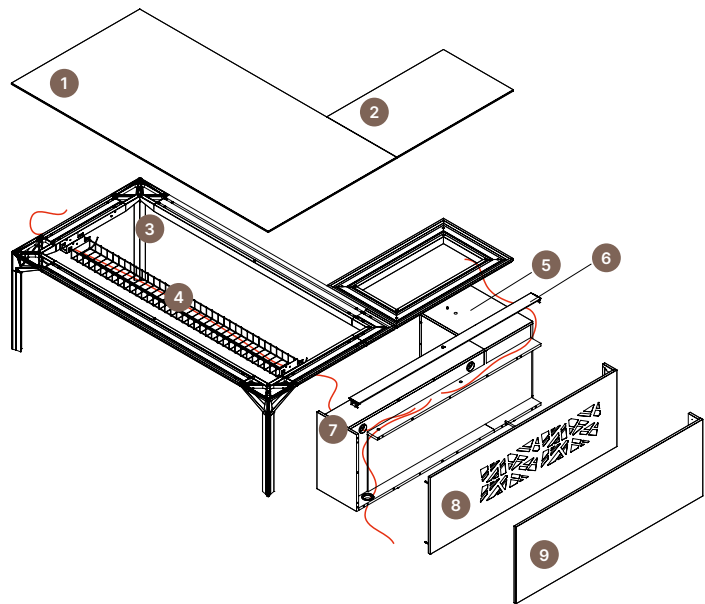
MEETING & BOARDROOM



DESKS

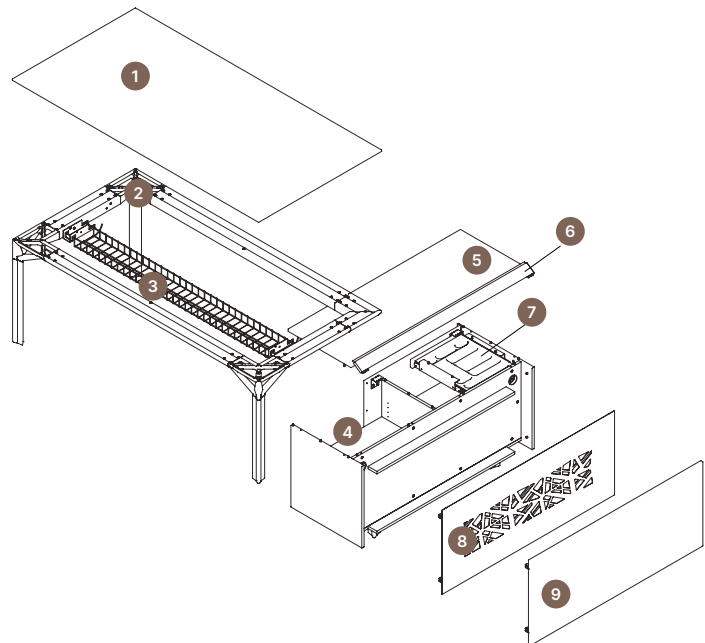
L-SHAPED DESK SUPPORTED ON COMBINATION UNIT

- 1) 18mm MFC desk top
- 2) 18mm MFC return top
- 3) Metal frame
- 4) Cable basket (optional extra)
- 5) 3-drawer + 1-pen drawer static pedestal
- 6) Cable flap
- 7) MFC structure
- 8) Perforated metal back panel (alternative to MFC back panel)
- 9) 18mm MFC back panel (alternative to metal back panel)



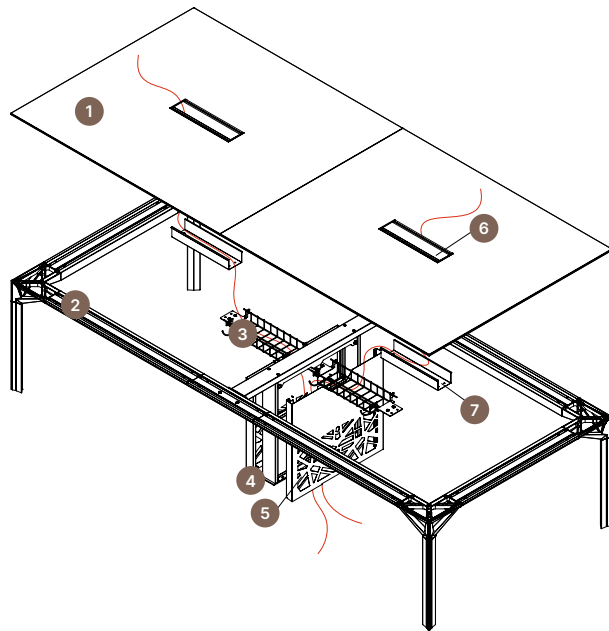
L-SHAPED DESKS SUPPORTED ON LOW CREDENZA UNIT

- 1) 18mm MFC desk top
- 2) Metal frame
- 3) Cable basket (optional extra)
- 4) MFC structure
- 5) 18mm MFC top
- 6) Cable flap
- 7) Pen drawer
- 8) Perforated metal back panel (alternative to MFC back panel)
- 9) 18mm MFC back panel (alternative to metal back panel)

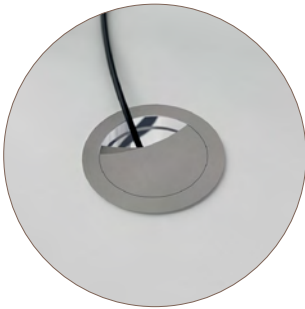


2-SECTION TABLE

- 1) 18mm MFC top
- 2) Metal frame
- 3) Cable basket (optional extra)
- 4) Cable managed recessed middle leg
- 5) Removable perforated metal cover
- 6) Cable flap
- 7) Open ended cable box



Accessories & additions



ø60mm Abs grommet



Cable flap with open ended cable box under



Cable basket for using on desks



Cable basket for two-section tables or longer tables



18mm MFC modesty panel



RECYCLING

MATERIALS AND RECYCLABILITY

MFC panels used for X8 range tables are solely manufactured with 100% recycled wood and fully meet requisites of formaldehyde low emissions (CARB Quality Award CATAS Certificate). Resins used for panels and melamines are free of SVHC substances (to be found in the ECHA list updated as of 12/01/2017).



STANDARDS

X8 range has passed the following tests, attested by **CATAS** analysis laboratory in San Giovanni al Natisone (UD).

D.L. 81/2008	Attestazio conformità al D.L. 81/2008
EN 527-1:2011	Tables and desks dimensions.
EN 527-2:2002, par 3	Safety mechanical requirements
EN 527-3:2003, par 5.3	Horizontal static load
EN 527-3:2003, par 5.2	Vertical static load
EN 527-3:2003, par 5.4	Horizontal resistance effort
EN 527-3:2003, par 5.5	Vertical resistance effort
EN 527-3:2003, par 5.1	Stability
EN 527-3:2003, par 5.6	Fall
EN 13721:2004	Surface reflectance
EN 13722:2004	Surface specular reflection
UNI 8594:2004	Worktops bend
UNI 9086:1987	Leg impact



CERTIFICATES

Constantly receptive to market requirements, Quadrifoglio Sistemi d'Arredo pay special attention on quality and safety contents in order to provide high products and services. The Company has reached certifications UNI EN ISO 9001/2015, UNI EN ISO 14001/2015 and UNI EN ISO 45001/2018 to confirm his policy. Our products are certified and ensured by FSC™ and ECOLOGICAL PANEL.

COMPANY WITH
MANAGEMENT SYSTEM
CERTIFIED BY DNV
ISO 9001 • ISO 14001
ISO 45001



GREEN ENERGY

The Company had installed the photovoltaic system with 4.500 solar panels in a 7.350 m² surface that covers almost entirely the factory. The photovoltaic is able to produce 1Mw of a quiet green energy, that does not harm the environment and is waste-free. With his high production capacity the photovoltaic allows us to reduce emissions in the atmosphere of all those polluting substances and to those that contribute to the greenhouse effects. Consequently, such measures make us save every year 180 tonne of petrol oil, 440 tonne of CO₂, 514kg of sulphur dioxide, 448 kg of nitrogen oxide and 23kg of dust.



TRANSPORT

Packaging is reduced in order to decrease volumes. Goods collections are responsibly managed and organised with the aim of optimise transports, reducing atmosphere emissions.